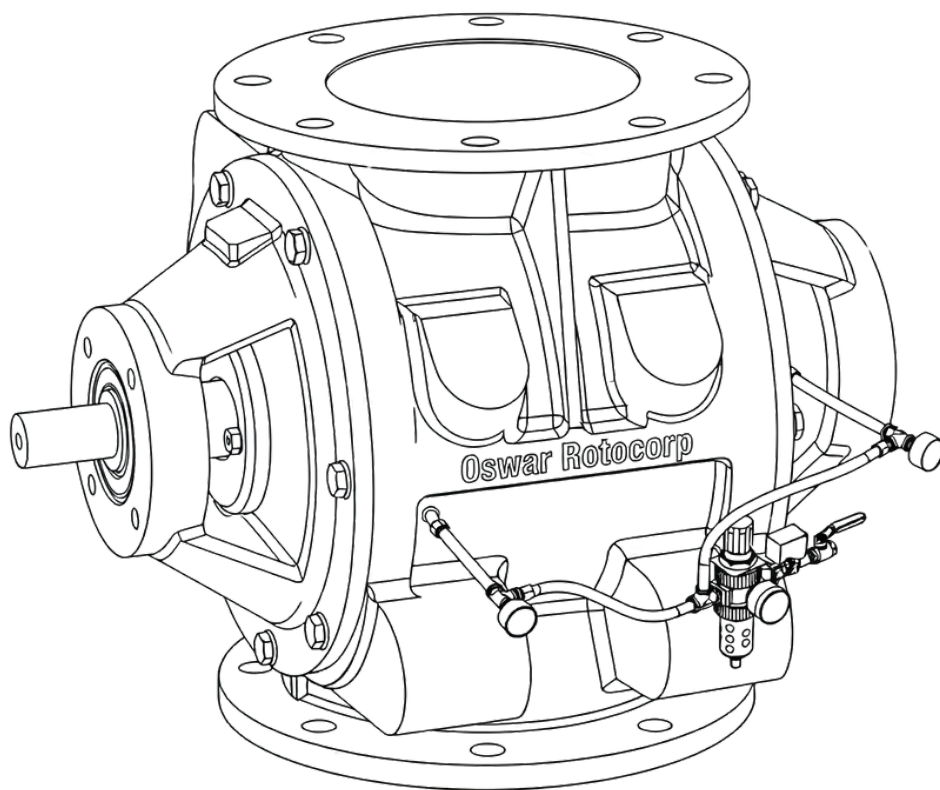



PHARMACEUTICAL INDUSTRY

HYGIENIC & GMP-CRITICAL PROCESSES



OSWAR
rotocorp



Pharmaceutical manufacturing requires strict contamination control, precise material dosing, and compliance with GMP-driven operational standards. Powder transfer, ingredient feeding, and batch processing systems must maintain product purity, minimize cross-contamination, and ensure consistent flow accuracy.

Oswar Rotocorp provides engineered flow control solutions designed specifically for hygienic powder handling and controlled material discharge in pharmaceutical plants. Our equipment integrates seamlessly into blenders, reactors, dryers, and pneumatic conveying systems while supporting cleanability and validation requirements.

CRITICAL PROCESS AREAS

API & EXCIPIENT
FEEDING

BATCH POWDER
TRANSFER
SYSTEMS

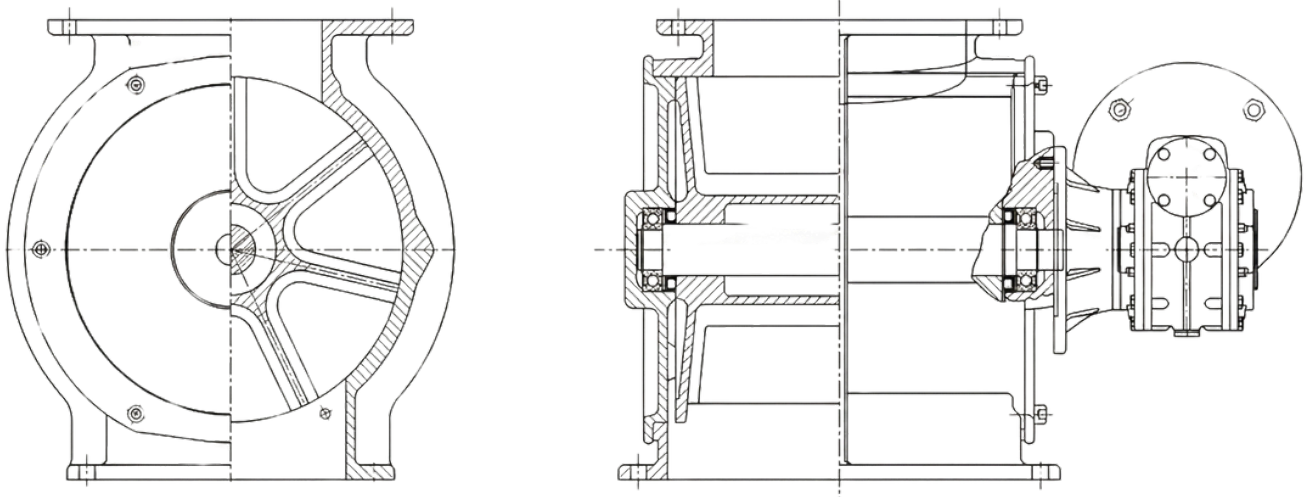
REACTOR &
BLENDER
DISCHARGE

DUST-
CONTROLLED
CONTAINMENT
SYSTEMS

BUILT FOR CLEANABILITY, PRECISION & PROCESS INTEGRITY

Pharmaceutical applications demand smooth internal surfaces, controlled clearances, and hygienic sealing arrangements to prevent contamination and material retention.

Rotary Valves for pharmaceutical applications are engineered with precision-machined components, optimized rotor geometry, and enhanced sealing systems to maintain airlock efficiency while preserving product quality. Surface finishes are designed to minimize material buildup and facilitate easy cleaning.



SOLUTION PORTFOLIO INCLUDES:

- Precision Hygienic Rotary Valves
- Controlled Feeding Rotary Valves
- Pneumatic Pressure Rotary Valves
- Hygienic Slide Gate Valves
- Diverter Valves for Controlled Line Switching
- Flap Valves / Gravity Gates for Dust Systems
- Genuine Precision Spare Components

ENSURING PRODUCT PURITY & PROCESS ACCURACY

- **Precise & Repeatable Material Feeding**
- **Reduced Risk of Cross-Contamination**
- **Enhanced Airlock Efficiency**
- **Smooth Internal Surfaces for Easy Cleaning**
- **Stable Operation in Batch & Continuous Systems**
- **Long-Term Reliability with Minimal Downtime**



OSWAR

rotocorp

Corporate Office

Jaipur, Rajasthan India
Nagpur, Maharashtra India

Sales Inquiries

info@oswarrotocorp.com

Helpline

[+44 7917 128505](tel:+447917128505) | +91 77422 36474

Copyright © 2026 OSWAR ROTOCORP. All Rights Reserved. OSWAR® is a registered trademark of **OSWAR ROTOCORP**. This brochure makes no offers, representations or warranties (express or implied), and information and data contained in this brochure are for general reference only and may change at any time.